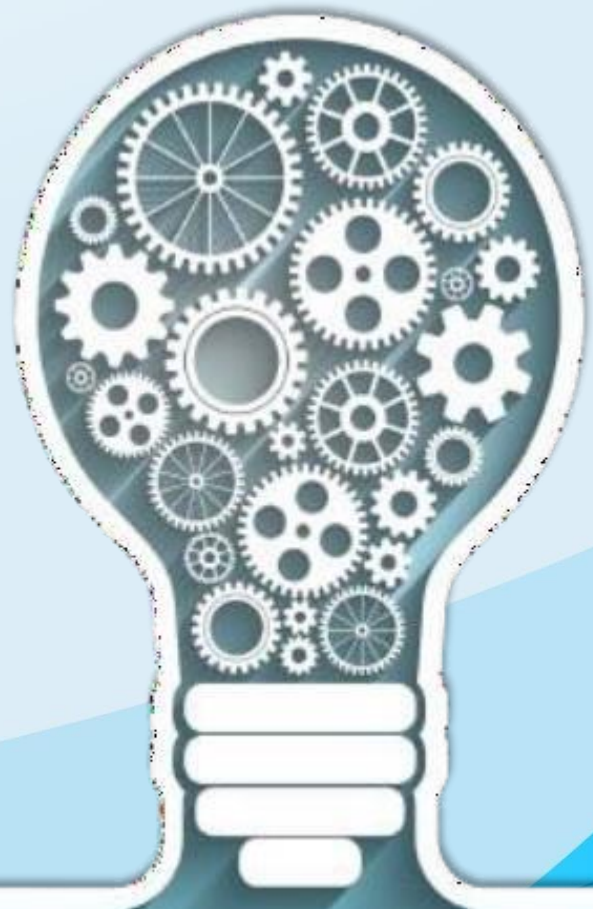




TECHNOKRATEN

....Seeing What Doesn't Exist Yet

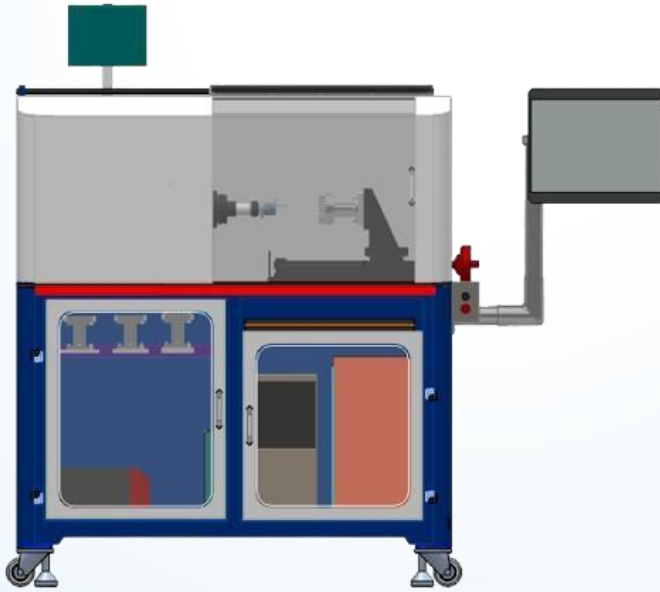


Special Testing Machines

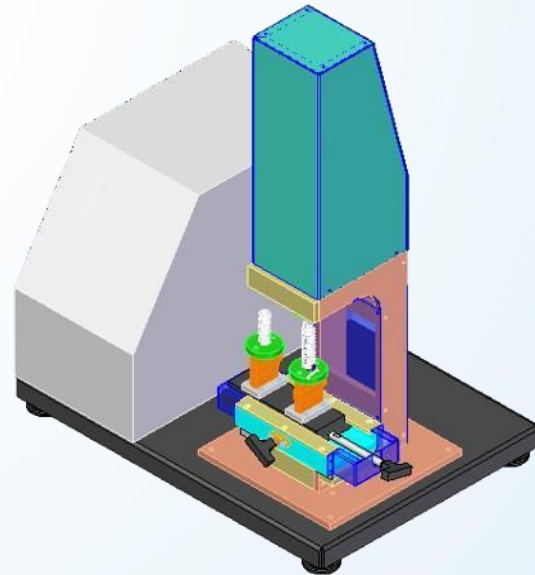
- Spring Testing Machine
- Wire Testing Machine
- Seat Testing Machine
- Universal Testing Machine
- Wire Crimp Tester

TESTING MACHINES

Spring Torsion & Compression Test Machine

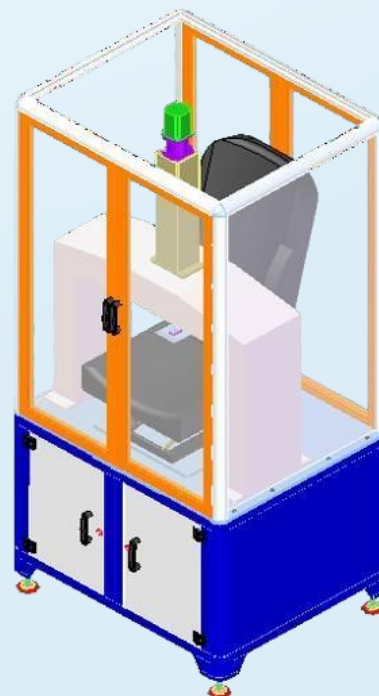
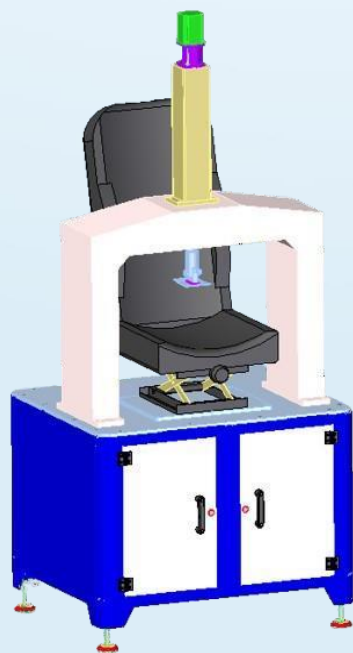


Torsion Spring Testing Machine

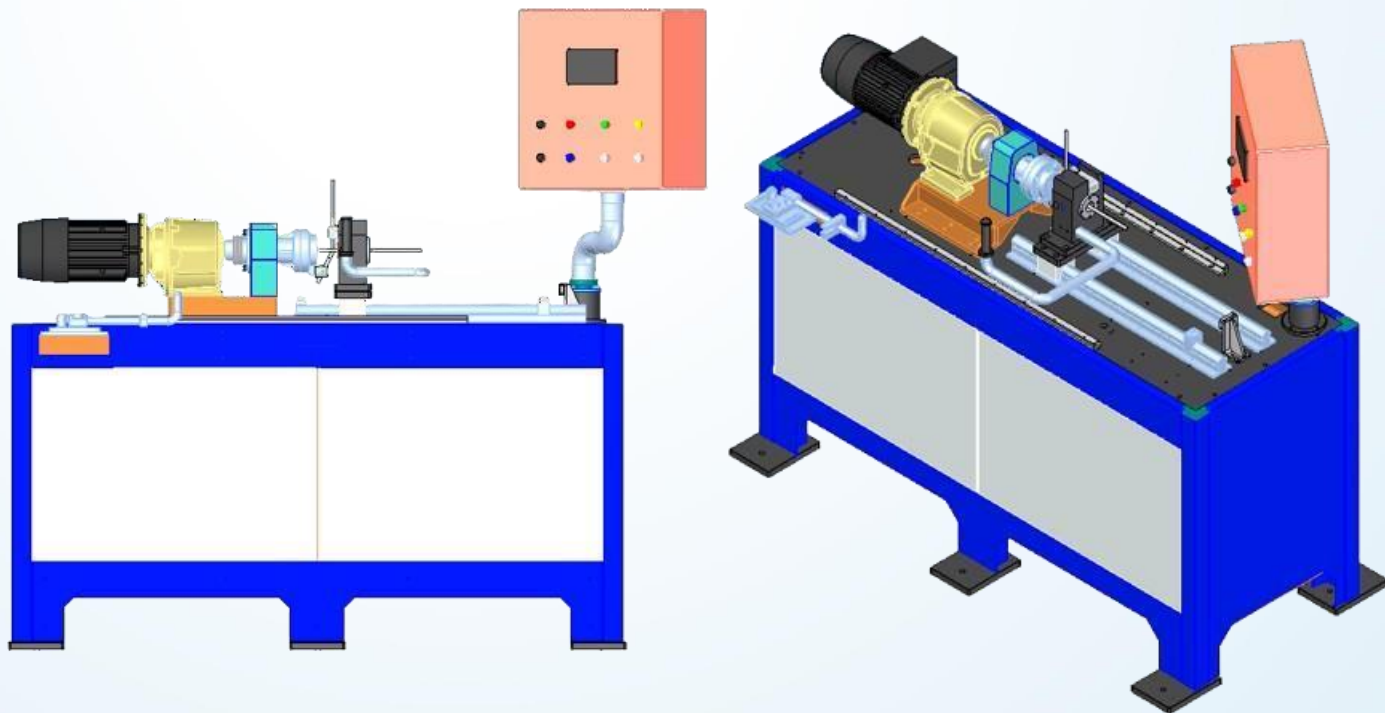


Compression Spring Testing Machine

Seat Testing Machine



Wrap Tester & Torsion tester machine



Features:

1. Spring wire diameter range 0.15mm to 6mm. ((We can also manufacture the setup for testing spring wires for the diameter range up to 12 mm))
2. Adjustable chuck speed.
3. Safety guard with interlock facility.
4. Quick and easy changeover of tooling from wrap test to torsion test.

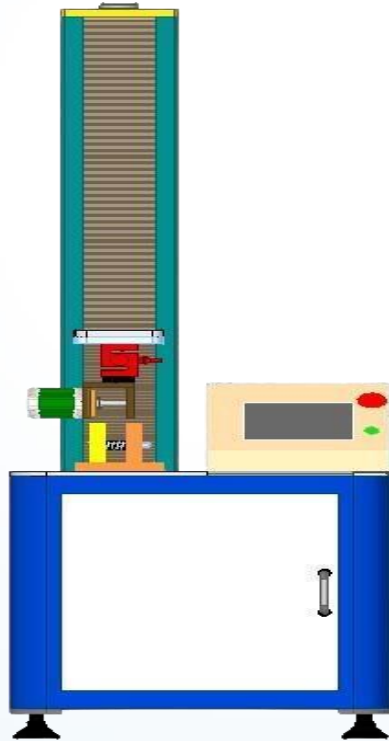
Bending Test Machine



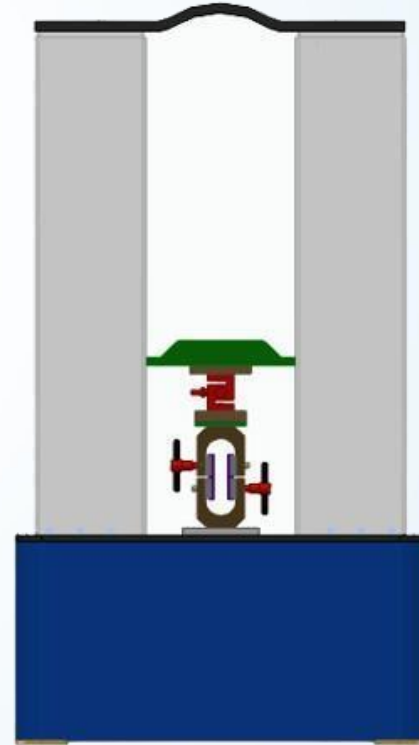
Features:

1. Suitable to test spring wire from size 3 mm to 6 mm diameter.
2. Hydraulic actuator- delta or equivalent make.
3. Manual hydraulic power pack- polyhedron make.
4. Suitable mandrel for the spring wire diameter range from 3 mm to 6 mm.
5. Manual safety guard.

Universal Testing Machine



TK-UTMSC



TK-UTMDC

Features:

1. Repeatability: Less than 1% variation over multiple tests.
2. Manages the testing process and data collection.
3. Assessing tensile strength, elongation, yield strength and modulus of elasticity.
4. Ensuring materials meet specified standards.
5. Often equipped with software for data analysis and reporting.

❖ **KEEP IN TOUCH**

Works 1: Sr. No. 77/4, Vishnu Malti Industrial,
Estate, Shivane, Pune-411023.

Works 2: A 80, Pawana Industrial Complex ,T204,
MIDC Bhosari , Pune-411026

Website: www.technokraten.in

For queries kindly contact us.

Email: sales@technokraten.co.in

Mobile: (+91) 9096240528