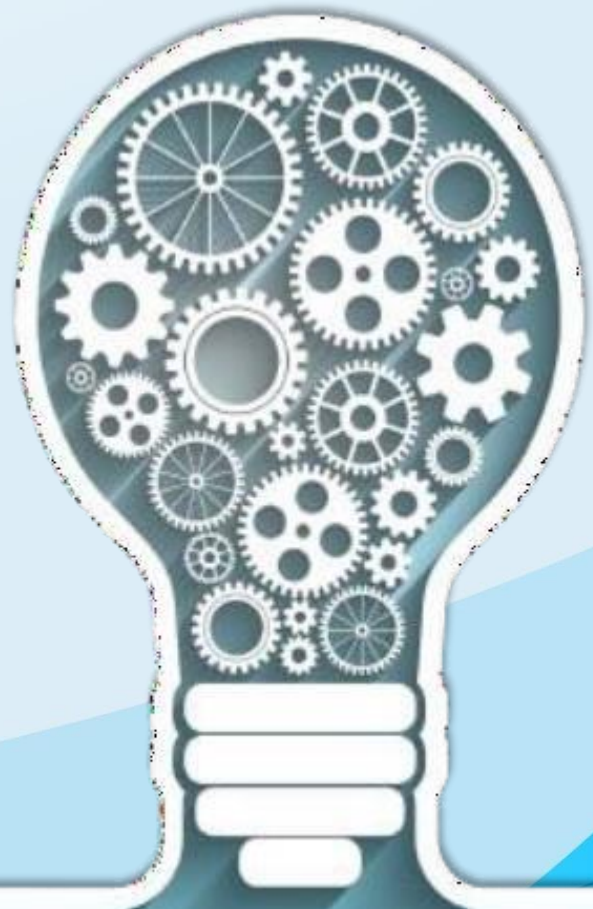




# TECHNOKRATEN

....Seeing What Doesn't Exist Yet

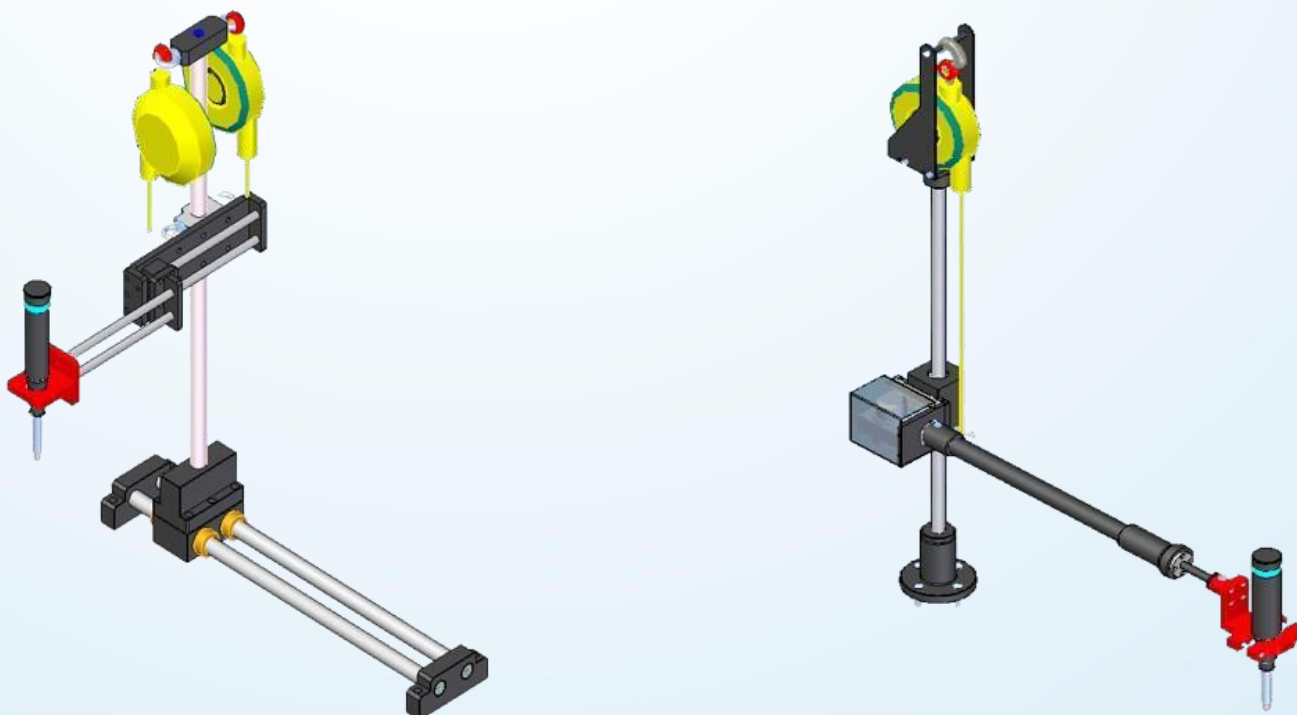


## **TORQUE REACTION ARM**

- Linear Torque Reaction Arm
- Articulated Torque Reaction Arm
- Vertical Telescopic Torque Reaction Arm
- Horizontal Telescopic Torque Reaction Arm
- Travelling Torque Reaction Arm
- Encoder Torque Reaction Arm

# TORQUE REACTION ARM

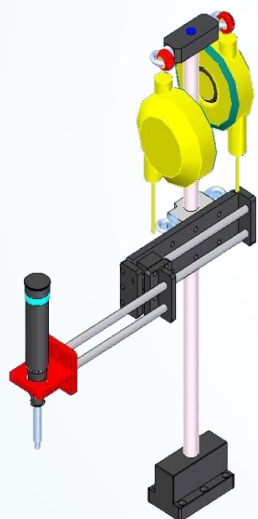
Our design torque reaction arms offer stability, precision, and flexibility for a variety of industrial and laboratory applications. Explore our range of models tailored to meet your specific needs. We are a manufacturer and supplier of a variety of torque reaction arms, including torque, linear, articulated, telescopic, and ergonomic type torque reaction arms, as well as tool holding stands, tapping arms, and tool balancer arms, etc.



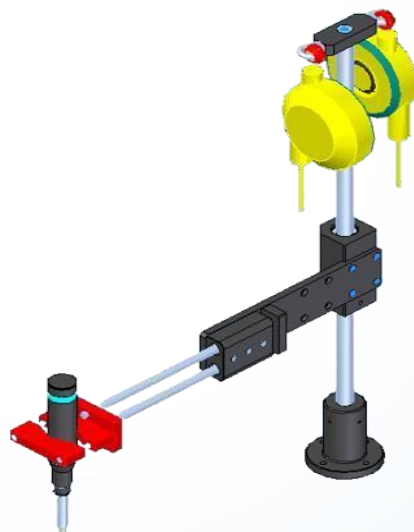
## Features:

1. Load Capacity: Varies by model, ranging from 5 Nm to 400 Nm.
2. Reach and Extension: Adjustable reach from 0.2 to 2.5 meters depending on the model.
3. Material and Construction: High strength and rigidity to withstand high levels of force.
4. Mounting Options: Floor, wall, ceiling, and bench-mounted options.
5. Adjustment Mechanisms: Fixed length, adjustable reach, and articulating arms.

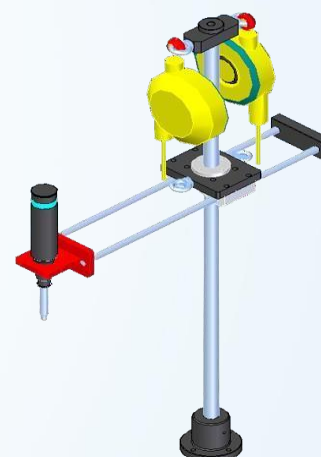
# Linear Torque Reaction Arms (LTRA Series)



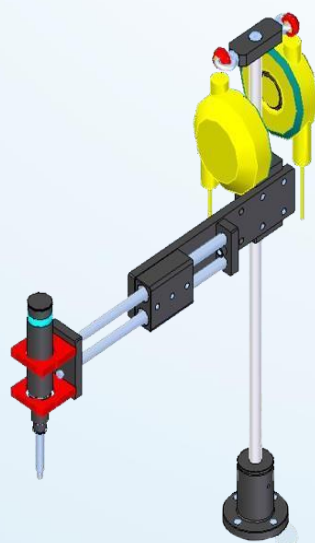
LTRA-A



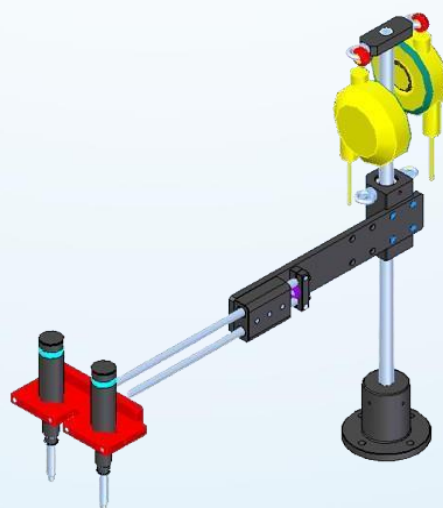
LTRA-B



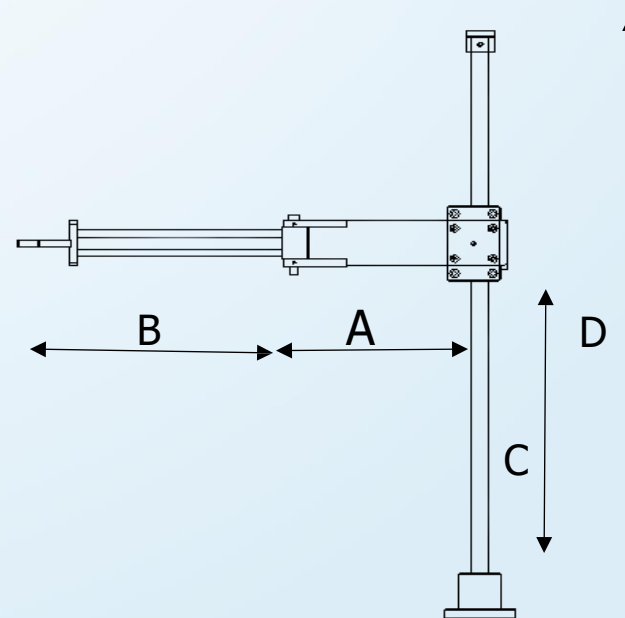
LTRA-C



LTRA-D



LTRA-E



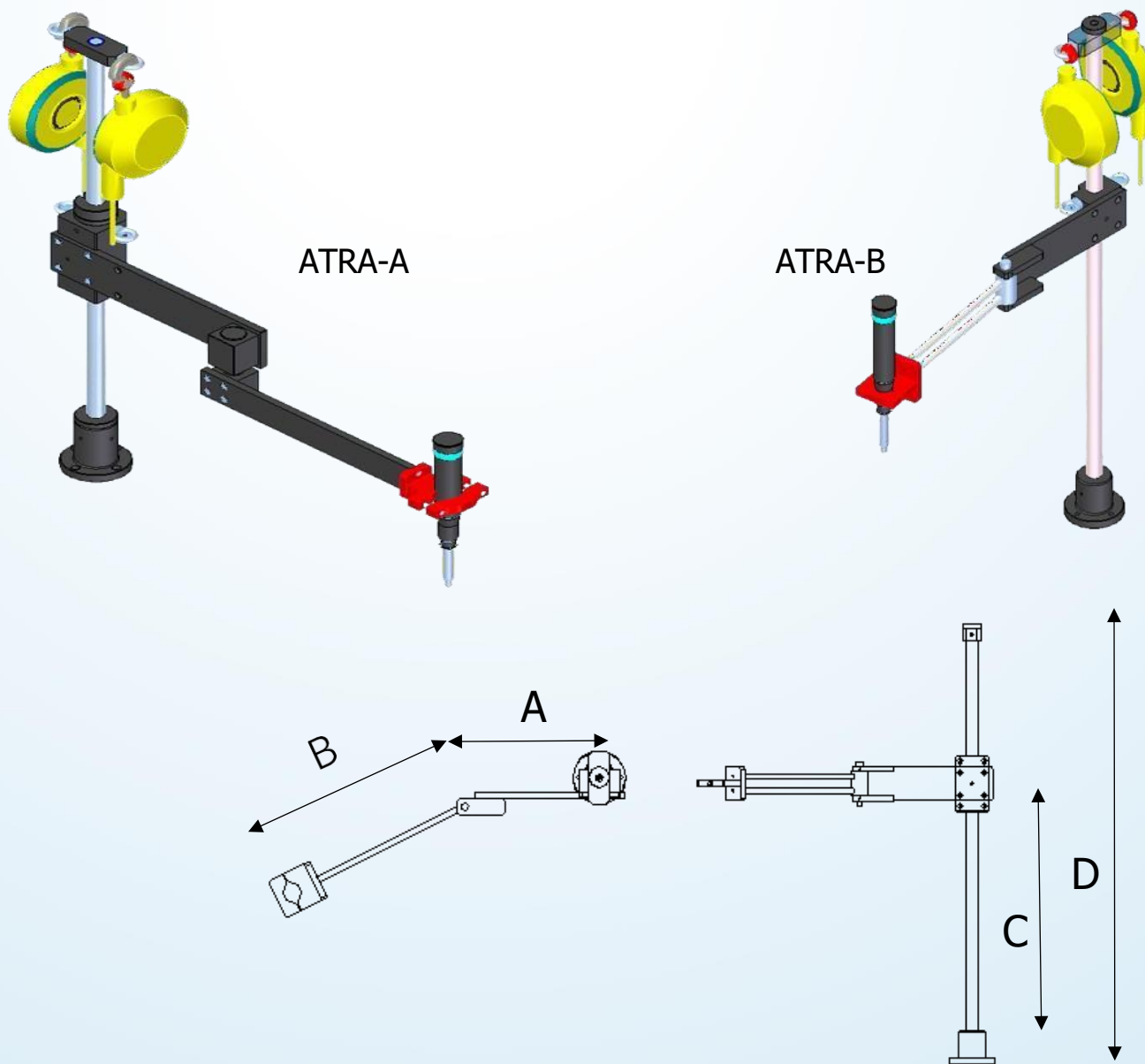
SR NO	MODEL NO	MAX TORQUE (NM)	A (MM)	A+B HORIZONTAL STROKE (MM)	C VERTICAL STROKE (MM)	D TOTAL HEIGHT (MM)	TYPE
1	LTRA-5-TYPE	5	350	750	320	750	A/B/C/D/E
2	LTRA-15-TYPE	15	350	750	350	900	
3	LTRA-25-TYPE	25	450	850	450	1000	
4	LTRA-50-TYPE	50	500	950	500	1200	
5	LTRA-100-TYPE	100	500	1100	500	1200	
6	CUSTOMIZED	X	X	X	X	X	

**Example-**

Ordering no. for standard Torque Reaction Arm **5 NM**, type A/B/C/D/E.

**LTRA-5-A**

# Articulated Torque Reaction Arms (ATRA Series)



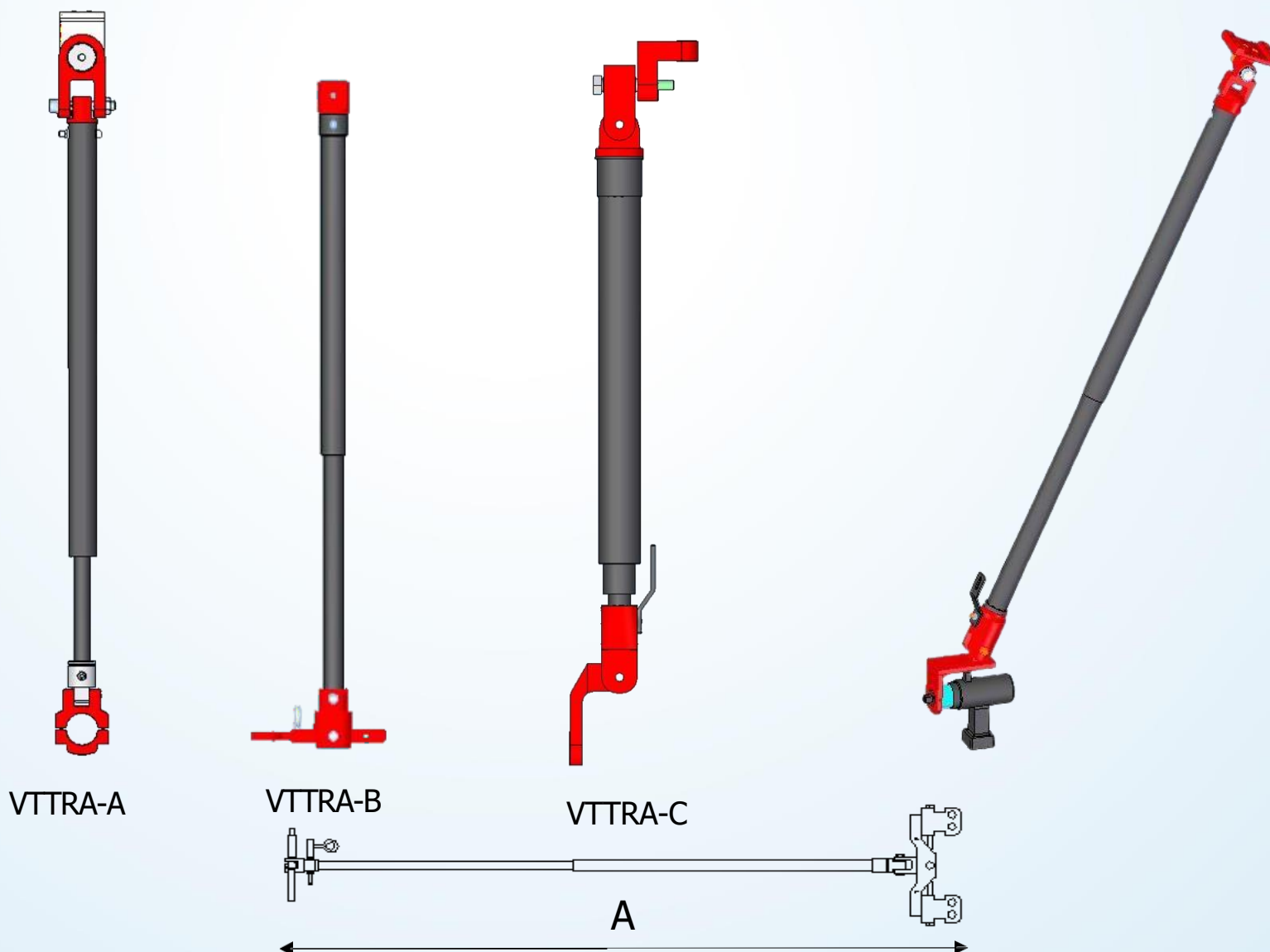
SR NO	MODEL NO	MAX TORQUE (NM)	A (MM)	A+B (MM)	C VERTICAL STROKE (MM)	D TOTAL HEIGHT (MM)	TYPE
1	ATRA-5-TYPE	5	350	750	320	750	A/B
2	ATRA-15-TYPE	15	350	750	350	850	
3	ATRA-25-TYPE	25	450	850	450	1000	
4	ATRA-50-TYPE	50	500	950	500	1200	
5	ATRA-100-TYPE	100	500	1100	500	1200	
6	CUSTOMIZED	X	X	X	X	X	

**Example-**

Ordering no. for standard Torque Reaction Arm **5 NM**, type A/B.

**ATRA-5-A**

# Vertical Telescopic Torque Reaction Arms (VTTRA Series)



SR NO	MODEL NO	MAX TORQUE (NM)	A MAX STROKE LENGTH (MM)	TYPE
1	VTTRA-10-TYPE	10	1000	A/B/C
2	VTTRA-25-TYPE	25	1400	
3	VTTRA-50-TYPE	50	1600	
4	VTTRA-100-TYPE	100	1800	
5	VTTRA-200-TYPE	200	2100	
6	VTTRA-300-TYPE	300	2500	
7	VTTRA-400-TYPE	400	2500	
8	CUSTOMIZED	X	X	

### Note -

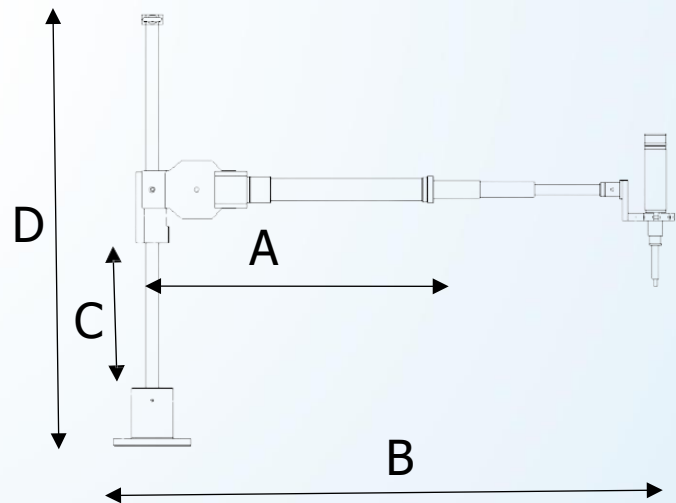
While Selecting Type of above torque arm refer Tool Holder Type A/B/C

### Example-

Ordering no. for standard Torque Reaction Arm **10 NM**, type A/B/C.

**VTTRA-10-A**

# Horizontal Telescopic Torque Reaction Arm (HTTRA Series)



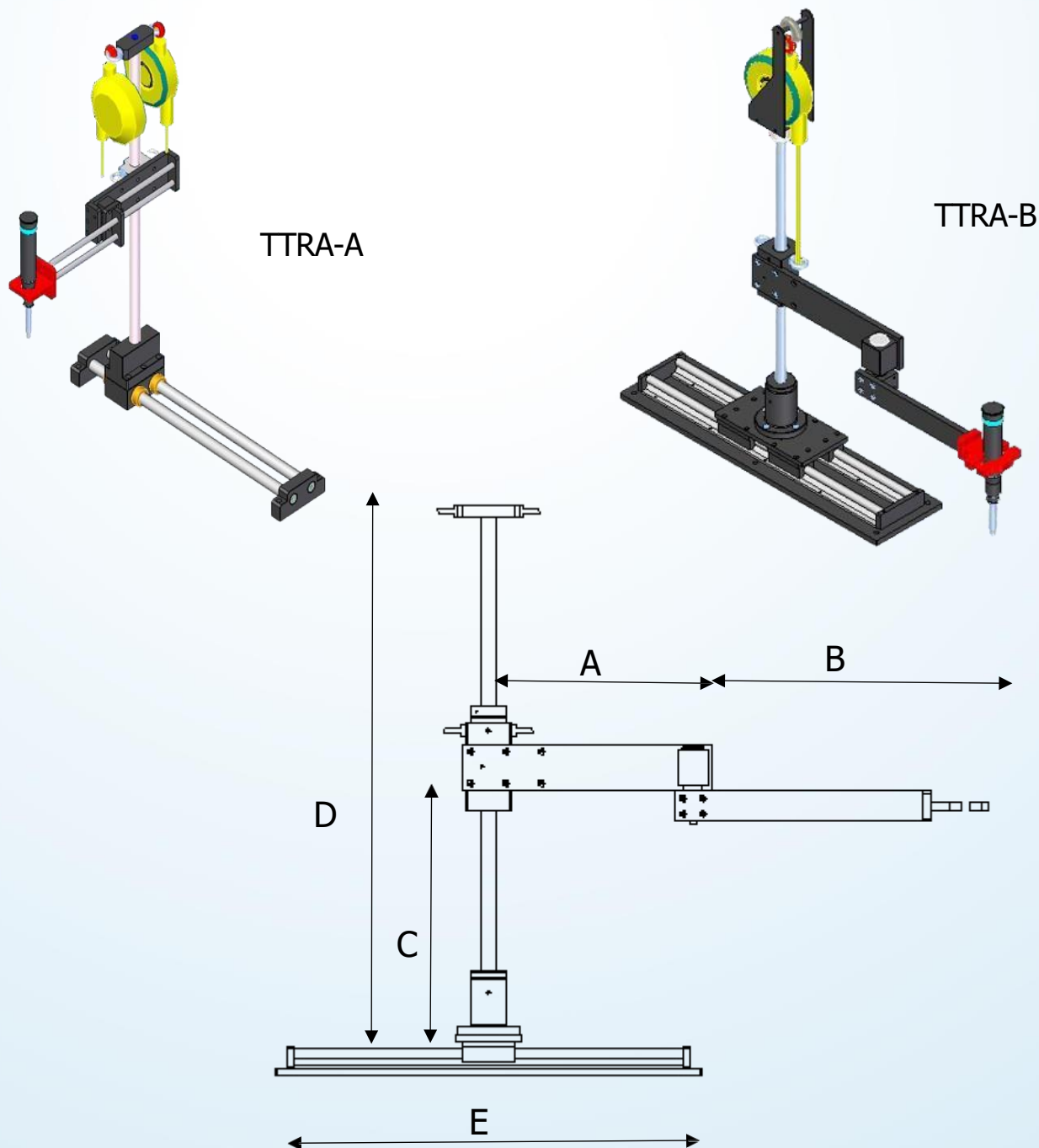
SR NO	MODEL NO	MAX TORQUE (NM)	A (MM)	B (MM)	C VERTICAL STROKE (MM)	D TOTAL HEIGHT (MM)
1	HTTRA-5-TYPE	5	350	750	320	750
2	HTTRA-15-TYPE	15	350	750	350	850
3	HTTRA-25-TYPE	25	450	850	450	1000
4	HTTRA-50-TYPE	50	500	1000	500	1200
5	HTTRA-100-TYPE	100	500	1400	500	1200
6	CUSTOMIZED	X	X	X	X	X

**Example-**

Ordering no. for standard Torque Reaction Arm **10 NM.**

**HTTRA-10**

# Travelling Torque Reaction Arms (TTRA Series)



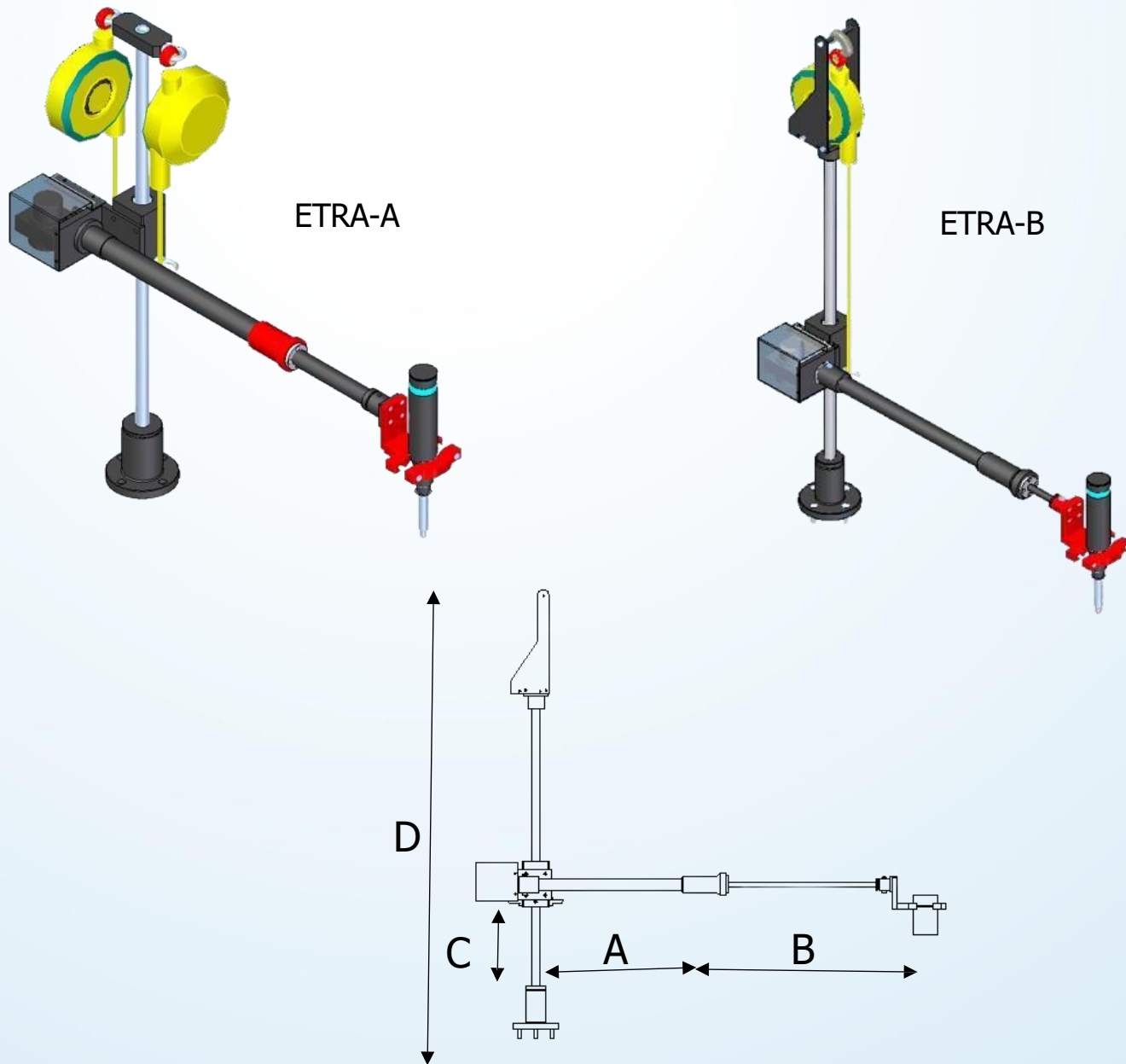
SR NO	MODEL NO	MAX TORQUE (NM)	A (MM)	A+B (MM)	C VERTICAL STROKE (MM)	D TOTAL HEIGHT (MM)	E TRAVELLING LENGTH (MM)	TYPE
1	TTRA-5	5	320	750	300	750	600	A/B
2	TTRA-15	15	480	750	350	900	750	
3	TTRA-25	25	600	850	450	1000	850	
4	TTRA-50	50	700	950	500	1200	1000	
5	TTRA-100	100	800	1100	500	1200	1000	
6	CUSTOMIZED	X	X	X	X	X	X	

**Example-**

Ordering no. for standard Torque Reaction Arm **5 NM**, type A/B.

**TTRA-5-A**

# Encoder Torque Reaction Arms (ETRA Series)



SR NO	MODEL NO	MAX TORQUE (NM)	A (MM)	A+B (MM)	C VERTICAL STROKE (MM)	D TOTAL HEIGHT (MM)	TYPE
1	ETRA-5-TYPE	5	350	750	320	750	A/B
2	ETRA-15-TYPE	15	350	750	350	900	
3	ETRA-25-TYPE	25	400	850	450	1000	
4	ETRA-50-TYPE	50	400	950	500	1200	
5	ETRA-100-TYPE	100	600	1100	500	1200	
6	CUSTOMIZED	X	X	X	X	X	

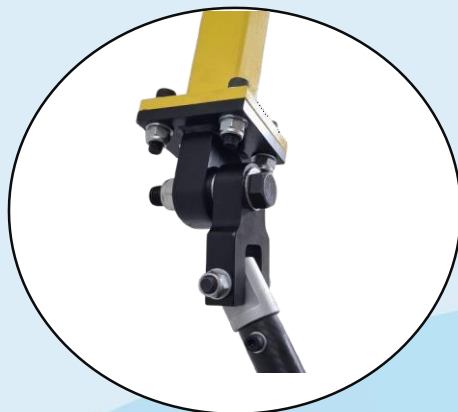
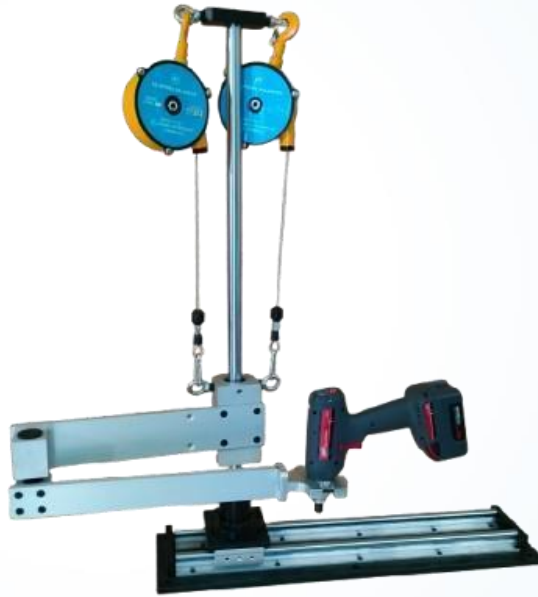
**Example-**

Ordering no. for standard Torque Reaction Arm **5 NM**, type A/B.

**ETRA-5-A**

# ❖ PRODUCTS IMAGES

TKTRA



## ❖ KEEP IN TOUCH

**Works 1:** Sr. No. 77/4, Vishnu Malti Industrial, Estate, Shivane, Pune-411023.

**Works 2:** A 80, Pawana Industrial Complex ,T204, MIDC Bhosari , Pune-411026

**Website:** [www.technokraten.in](http://www.technokraten.in)

**For queries kindly contact us.**

**Email:** [sales@technokraten.co.in](mailto:sales@technokraten.co.in)

**Mobile:** (+91) 9096240528